

StreetGlow®

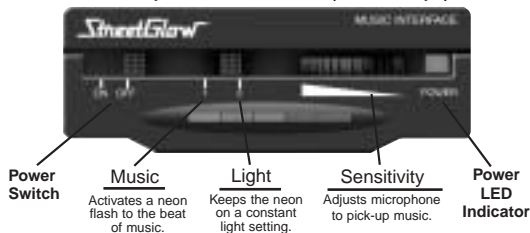
MUSIC INTERFACE

CONTENTS:

- 1 - Music Interface Module
- 3 - Quick connectors
- 1 - 6 amp Mini Fuse holder
- 1 - 5' length of extension wire
- 6 - Large mounting screws
- 2 - Small Mounting screws
- 3 - Power Distribution Blocks

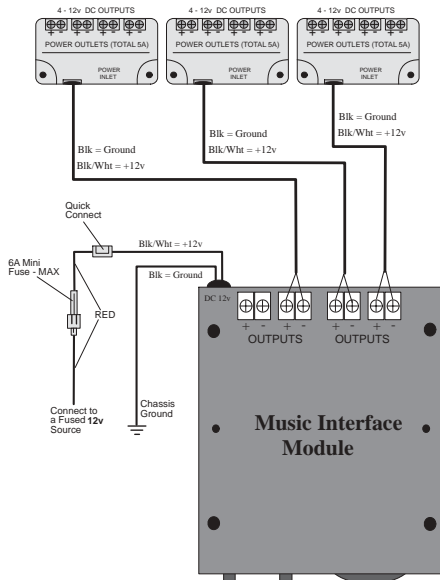
Installation Instructions

Connect up to 12 accent tubes (Max. 6 Amps)



Installation Instructions:

1. Locate and mount the Music Interface in a desired location with 2 small Mounting screws.
2. Connect the 6 amp fuse holder to the BLACK / WHITE striped wire of the module using the quick connector provided. Then connect input of the fuse to a 12v source.
3. Connect the BLACK wire of the Music Interface to chassis ground of the vehicle.
4. Mount Power Dist. Blocks close to the Music Interface with the large screws provided.
5. Connect Power Dist. Blocks to Modules output 6 amp - MAX
 - BLACK wire connect to - Negative output of module.
 - BLACK / WHITE Stripe wire connect to +12V dc output of module.
- 6 - Enjoy!



StreetGlow®

MUSIC INTERFACE

All Street Glow products are covered by a comprehensive warranty.

StreetGlow neon products are warranted against defective materials and workmanship for as long as the original purchaser owns the product. StreetGlow Radio Bars and other non-neon products (excluding fog lights and driving lights, and Xenon white bulbs) are warranted against defective materials and workmanship for two years from date of purchase. Fog lights and driving lights, and Xenon white bulbs are warranted for one year from date of purchase. Any product that should fail for either defective materials or workmanship will be repaired or replaced, at StreetGlow's option, as the sole remedy of the buyer. Proof of purchase is required. All warranty claims are to be handled by selling agents. Accident, abuse, neglect, modifications, broken glass (with the exception of SG201 Undercar Kit), labor, transportation, improper installation and the use of products other than for their intended purposes are not covered. NEITHER SELLER NOR THE MANUFACTURER SHALL BE LIABLE FOR ANY INJURY, LOSS OR DAMAGE, DIRECT, INCIDENTAL OR CONSEQUENTIAL (INCLUDING, BUT NOT LIMITED TO INCIDENTAL OR CONSEQUENTIAL DAMAGES FOR LOST PROFITS, LOST SALES, INJURY TO PERSON OR PROPERTY OR ANY OTHER INCIDENTAL OR CONSEQUENTIAL LOSS), ARISING OUT OF THE USE OR THE INABILITY TO USE THE PRODUCT AND THE USER AGREES THAT NO OTHER REMEDY SHALL BE AVAILABLE TO IT. Before using, the user shall determine the suitability of the product for the intended use, and user assumes all risk and liability whatsoever in connection therewith. Some states and countries do not allow the exclusion or limitation of incidental or consequential damages, so the above limitations or exclusions may not apply to you. This warranty gives you specific legal rights and you may also have other rights, which vary from state to state and from country to country. **DISCLAIMER: THE FOREGOING WARRANTY IS AN EXCLUSIVE WARRANTY IN LIEU OF ANY OTHER EXPRESS WARRANTIES. ANY IMPLIED WARRANTIES (INCLUDING, BUT NOT LIMITED TO ANY IMPLIED WARRANTY OF MERCHANTABILITY OR FITNESS FOR A PARTICULAR PURPOSE) TO THE EXTENT THAT IT COULD APPLY TO ANY OF THE PRODUCTS MANUFACTURED BY THE COMPANY SHALL BE LIMITED IN DURATION TO THE PERIODS OF THE EXPRESS WARRANTY GIVEN ABOVE.**

Design and specifications are subject to change without notice.