

Model No.
SG400CH



Installation Instructions

• PLEASE READ THESE INSTRUCTIONS CAREFULLY BEFORE STARTING INSTALLATION.

LAMP MOUNTING INSTALLATION

1. Select desired location of lamps, Position lamp bracket using adhesive tape (remove all dirt, wax, Etc.)
2. Using 1/4" drill bit, drill mounting holes for lamp bracket and install bolts, lock washer and nuts (Do not over tighten) (Figure 1)
3. Mount lamps on brackets, make sure the vent hole is face down on the lamp housing.

WIRE HARNESS INSTALLATION

1. CAUTION !! IN ORDER TO AVOID INJURIES AND SHORT CIRCUITS, REMOVE THE (-) NEGATIVE TERMINAL FROM THE BATTERY BEFORE ATTEMPTING ANY ELECTRICAL CONNECTIONS.
2. Mount relay to an accessible place in engine compartment using the sheet metal screw provided.
3. Connect the wiring harness relay connector to mounted relay. (Figure 2)
4. Connect BLACK GND wire of harness to chassis ground of the vehicle with ring terminal. (Figure 2)
5. Connect the BLUE wire from harness to the BLUE wire of lamp and then connect BLACK wire of the harness to the BLACK wire of the lamp. (Figure 2)
6. Mount the switch in a convenient location on your dash.
7. Connect 4 pin male connector of harness to the switch's female connector, and then connect the RED wire from the 4 pin male connector to vehicles low beam circuit. Connect BLACK wire from 4 pin male connector to chassis ground. (Figure 2)
8. Reconnect the NEG Terminal on the battery and install the 15amp.fuse in harness for the lamps.

TESTING PROCEDURES

1. Start vehicle.
2. Turn the vehicles light to the "ON" position.
3. Turn on the power switch. (If the lamps turn on at this point, there should be no problems with the connections) If the lamps do not work, go back to steps (1 - 8) of the installation and check all the processes over again.
4. With lights - ON - Aim lamps for proper alignment. A towel or heat resistant gloves should be used as the lamps are extremely HOT.
5. Turn off vehicle

CONTENTS

- 2 OPTX LIGHTS
- 1 POWER RELAY
- 1 WIRE HARNESS
- 1 OPTX ILLUMINATING SWITCH
- 2 DOUBLE FACE ADHESIVE TAPE FOR MOUNTING BRACKETS
- 1 DOUBLE FACE ADHESIVE TAPE FOR SWITCH
- 1 QUICK SPLICE CONNECTOR
- 1 1/8" X 1/4" SCREW FOR RELAY
- 4 5/16" X 5/8" HEX BOLTS
- 2 1/4" X 5/8" HEX BOLTS
- 4 5/16" LOCK WASHER
- 2 1/4" LOCK WASHER
- 1 STREETGLOW DECAL
- 1 STREETGLOW CATALOG
- 1 INSTALLATION INSTRUCTIONS

CAUTION !

1. THE LAMP UNITS WILL BE EXTREMELY HOT WHEN THEY ARE ON, AND IMMEDIATELY AFTER USE.
2. NEVER WASH THE CAR WHILE THE LAMPS ARE ON OR WHILE THEY ARE HOT.
3. KEEP THE WIRING HARNESS AWAY FROM MOVING PARTS OR EXCESSIVE HEAT BY USING TIE STRAPS (NOT SUPPLIED).
4. IF THE FUSE BURNS OUT, INVESTIGATE THE CAUSE FIRST, CORRECT IT, THEN REPLACE THE FUSE.
5. USE ONLY OPTX H3, 55 WATT XENON HID REPLACEMENT BULBS.

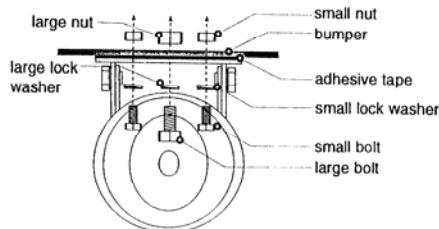


Figure 1

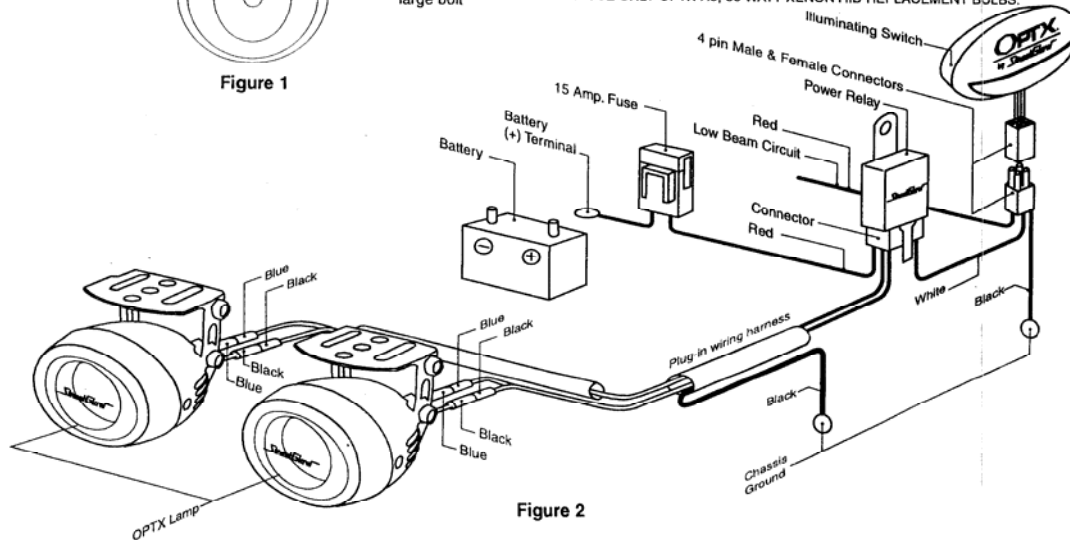


Figure 2